

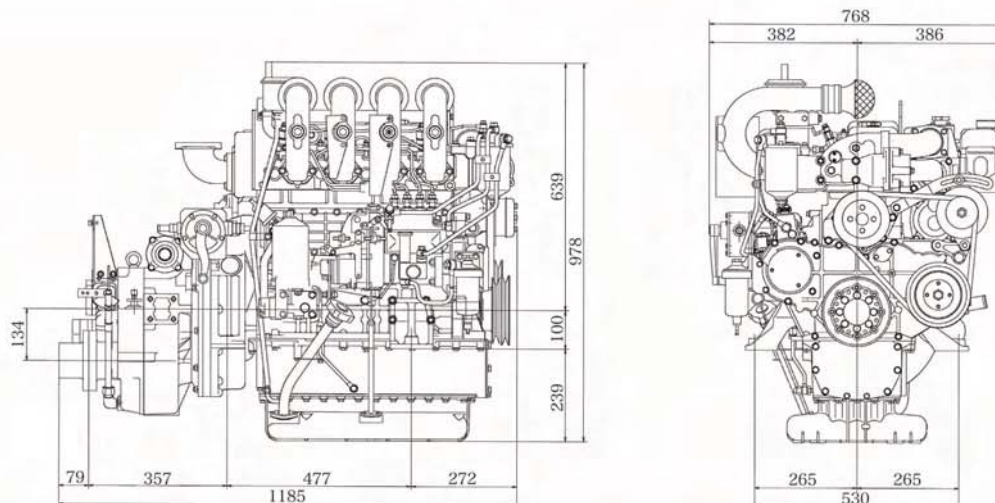
# UM4BG12

**ISUZU**

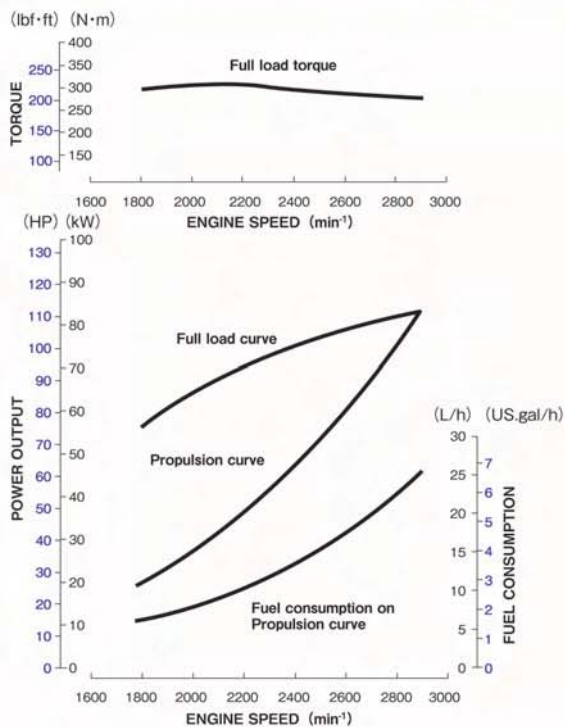
ISUZU MOTORS ENGINE SALES INC.

# UM4BG1Z

DIMENSIONS (mm)



## PERFORMANCE CURVES



## ENGINE SPECIFICATIONS

Configuration	4-cylinder, vertical in-line, 4-cycle diesel engine	
Bore x Stroke	mm (in)	105 x 125 (4.13 x 4.92)
Displacement	Lit. (cid)	4.329 (264)
Rated output	kW(PS)/min <sup>-1</sup>	Medium duty 81 (110) / 2900
Application	Commercial use	
Governor type	Mechanical	
Combustion type	Direct injection	
Aspiration	Natural aspiration	
Engine weight	kg (lb)	Engine 436 (961) with MGN30A 560 (1,235)
Fuel used	Diesel fuel	
Starter	V-kW	24 - 4.5
Alternator	V A	24 30
Lubrication method	Full flow pressure circulation	
Cooling method	Freshwater, full flow pressure circulation (Seawater, indirect)	
Heat exchanger (seawater circulation)	Multi-tube type (freshwater→seawater)	
Intercooler	Multi-tube type (seawater circulation)	
Rotation direction	Crankshaft	Right (clockwise) viewed from front of engine
	Propeller shaft	Right (clockwise) viewed from stern
Idling speed	min <sup>-1</sup>	500~550
Marine gear	Marine Gear Model	MGN30A
	Clutch type	Wet, Multi-plate hydraulic type
	Reverse type	Constant-mesh type gear
	Reduction ratio	2.04, 2.52, 3.05, 3.44

Specifications subject to change without notice

## ACCESSORIES

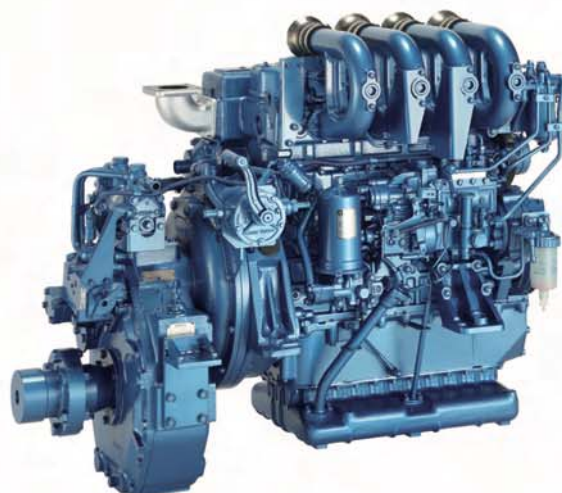
### Standard

- Installation kit
- Kingston valve
- Battery relay
- Extension harness (3m)
- Seawater pump impeller \*
- Bilge pump
- Control head
- Instrument panel
- Oil drain pump
- Blow-by pipe
- Tool kit
- Owner's manual

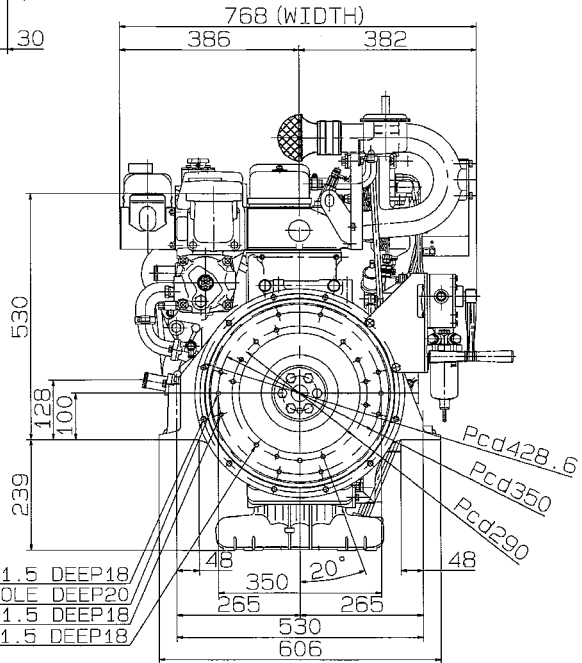
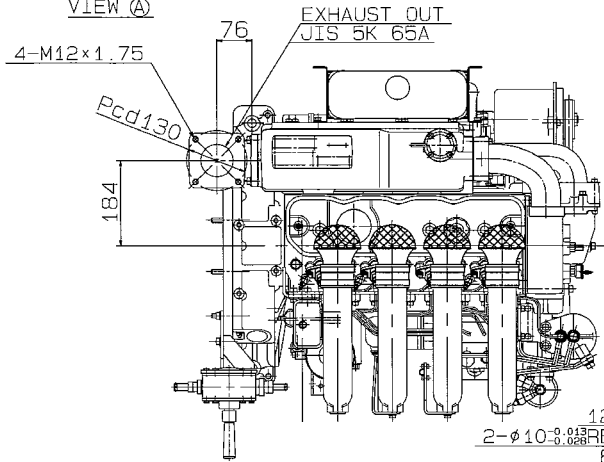
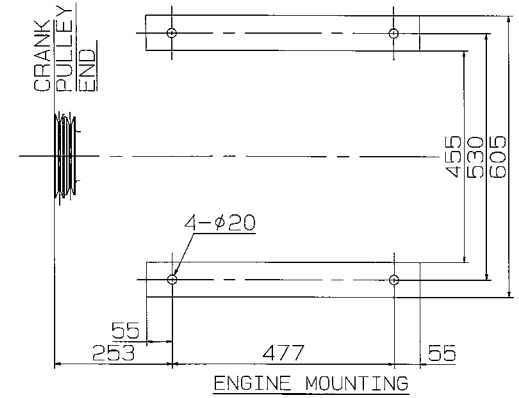
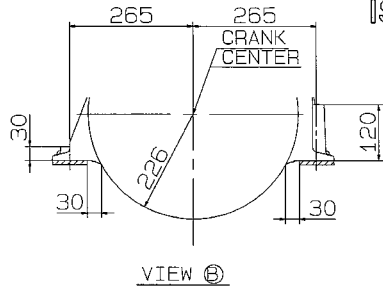
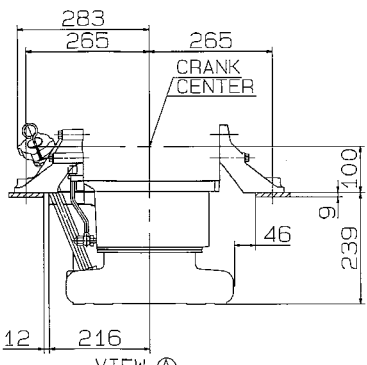
\* spare parts

### Option

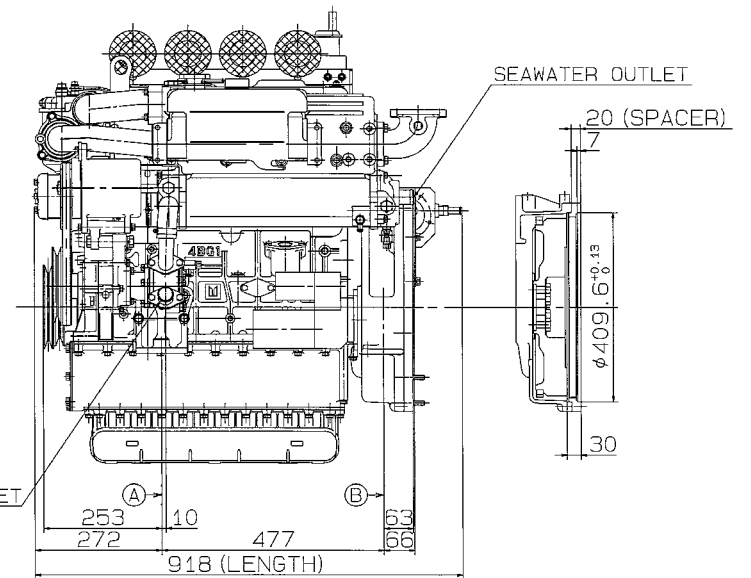
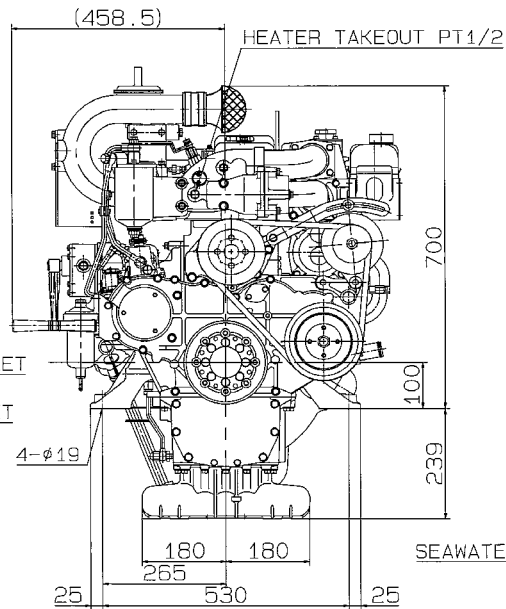
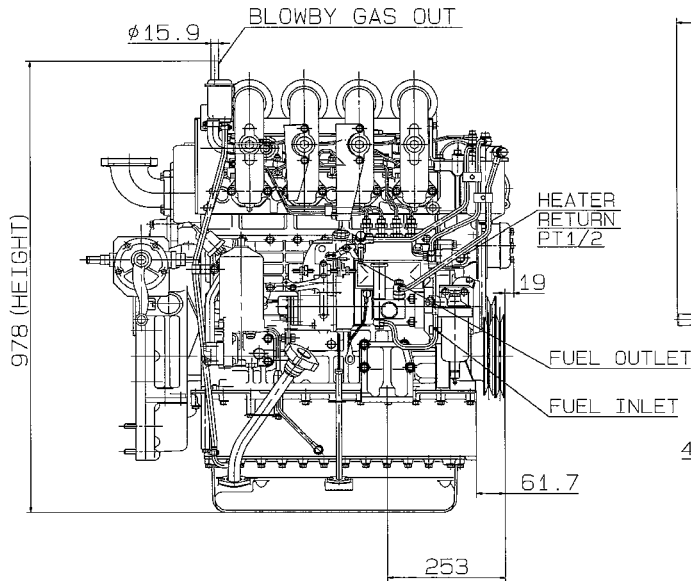
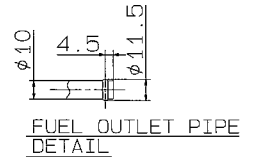
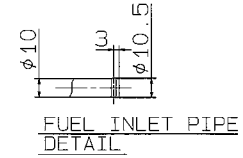
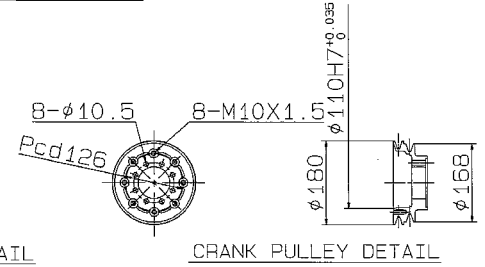
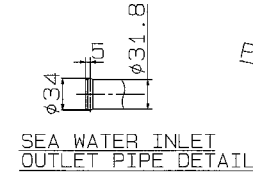
- Extension harness (3m)
- Control cable (4m,6m,10m,12m)
- Stop cable (4m,6m,8m)



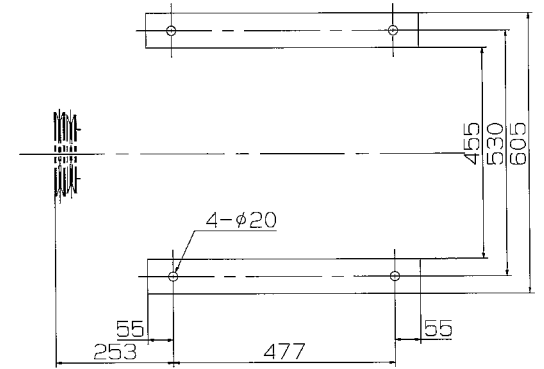
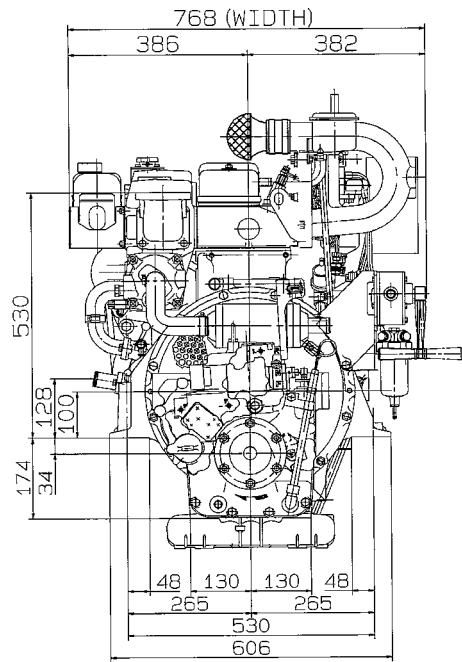
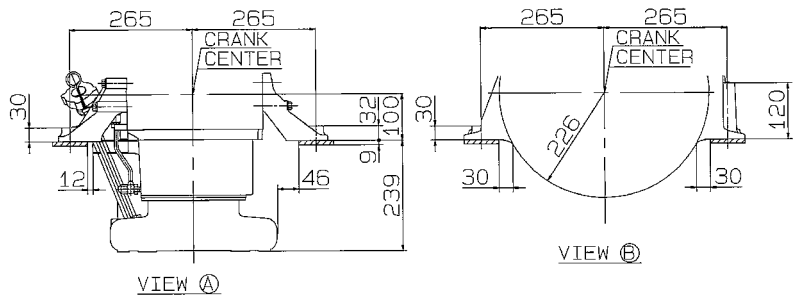
# ISUZU UM4BG1Z DIESEL ENGINE GEAR LESS



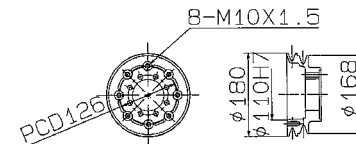
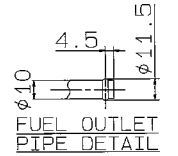
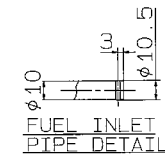
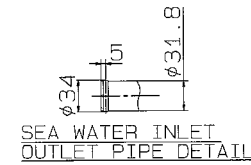
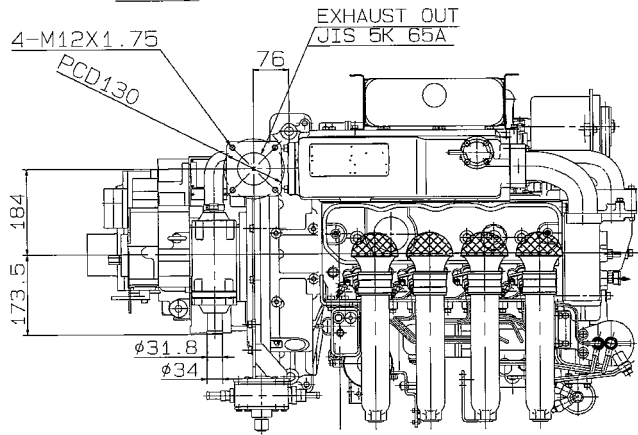
- 12-M10x1.5 DEEP18
- 2-φ10 REAMEDHOLE DEEP20
- 8-M10x1.5 DEEP18
- 12-M10x1.5 DEEP18



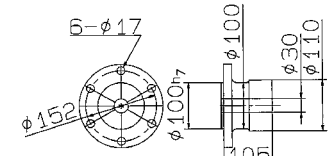
# ISUZU UM4BG1Z DIESEL ENGINE MGN30A-1



ENGINE MOUNTING



CRANK PULLEY DETAIL



HALF COUPLING DETAIL

