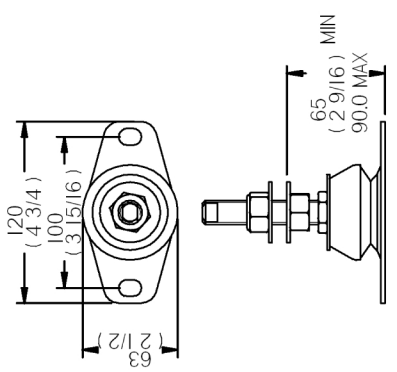
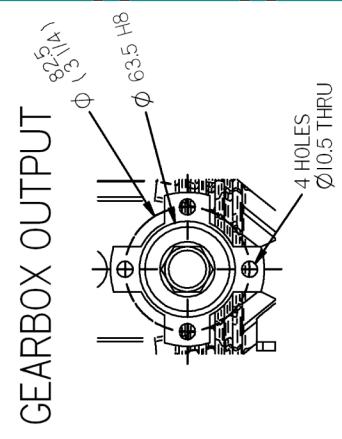
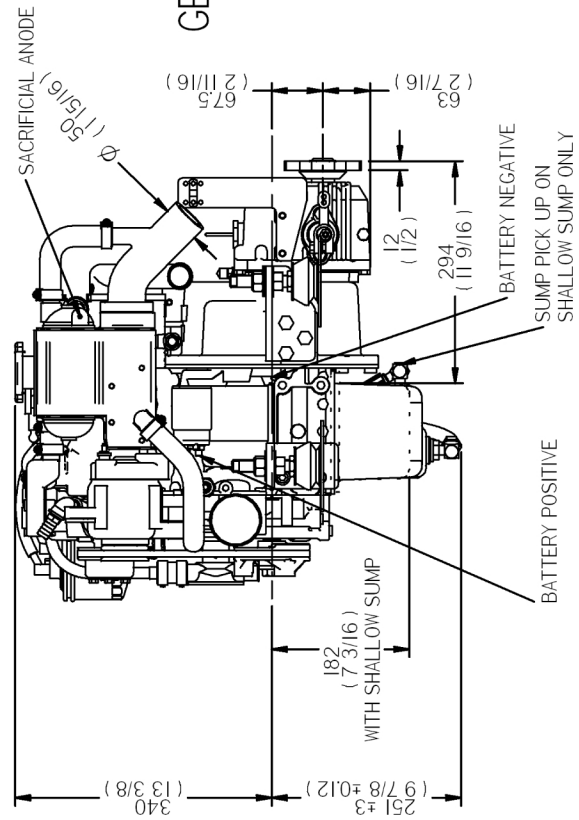
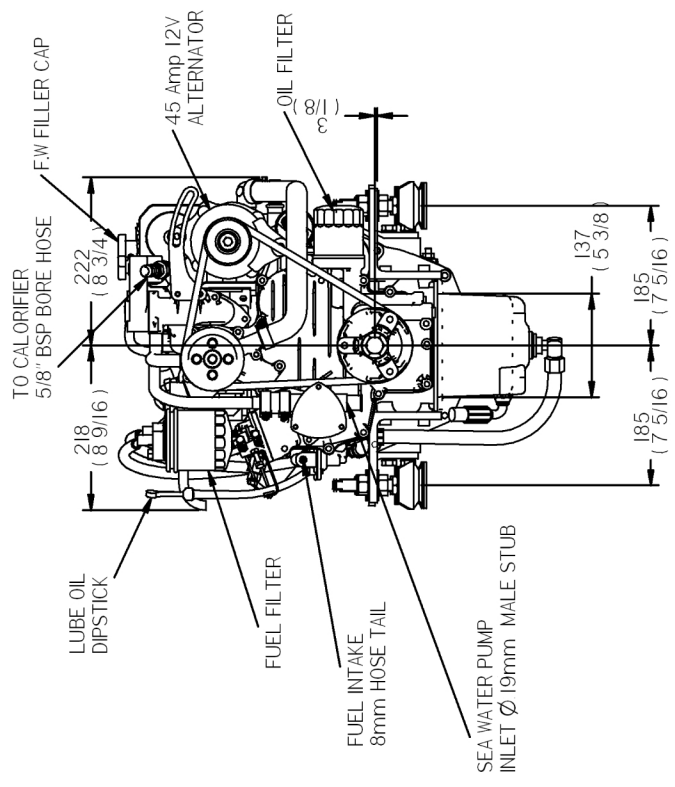
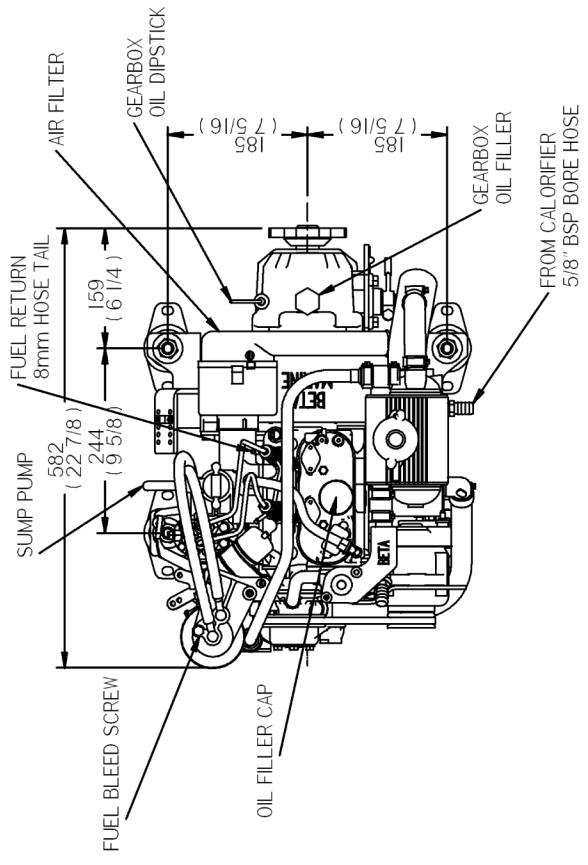
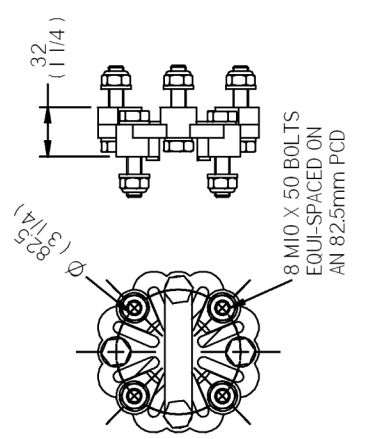


FLEXIBLE MOUNT DETAILS



FLEXIBLE COUPLING DETAILS



REV	DESCRIPTION	DATE	APPD	DRAWN	NOTES
01	NEW TITLE BLOCK	15-01-04	LT	TW	
02	BATTERY CONNECTIONS AND WASTING ANODE	11-10-04	LT	TW	
03	FUEL FILTER, HE TANK AND AIR FILTER	25-07-05	LT	TW	
04	CALORIFIERS AND TIER2 CLOSED BREATHER	20/12/05		TW	

TITLE: **BETA 14 HEAT EXCHANGE
TMC40 GEARBOX**

BETA MARINE LTD. DAYV WAY, WATERWELLS, QUEDGELEY GLOUCESTER GL2 2AD UK	DRAWN BY: timw	SIZE: A4	DWG NO: 100-06019	REV: 04
TEL +44 (0)1452 723492	CHECKED BY:	SCALE:	PAGE: 1 of 1	DATE: 12/08/2009



⚠ DIMENSIONS IN MM (INCH)
DO NOT SCALE