

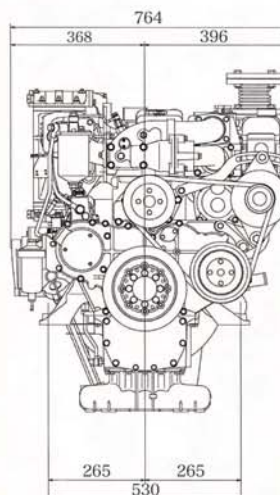
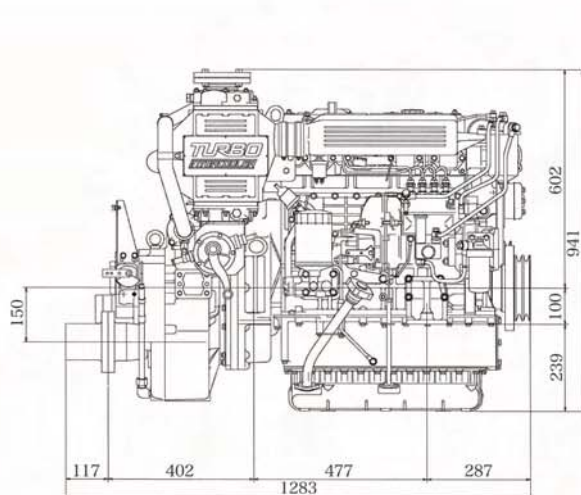
UM4BG1TCX

ISUZU

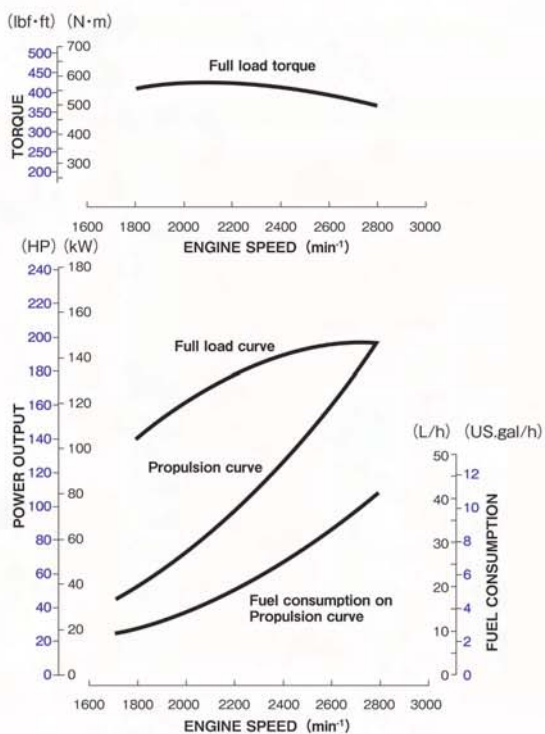
ISUZU MOTORS ENGINE SALES INC.

UM4BG1TCX

DIMENSIONS (mm)



PERFORMANCE CURVES



ENGINE SPECIFICATIONS

Configuration	4-cylinder, vertical in-line, 4-cycle diesel engine	
Bore x Stroke	mm (in)	105 x 125 (4.13 x 4.92)
Displacement	Lit. (cid)	4.329 (264)
Rated output	kW(PS)/min ⁻¹	Medium duty 134 (182) / 2700
		Light duty 147 (200) / 2800
Application	Commercial use	
Governor type	Mechanical	
Combustion type	Direct injection	
Aspiration	Turbo charged / Intercooler	
Exhaust gas status	IMO T er II	
Engine weight	kg (lb)	Engine 507 (1,118)
		with MGN35A 655 (1,444)
Fuel used	Diesel fuel	
Starter	V kW	24 4.5
Alternator	V-A	24 - 50
Lubrication method	Full flow pressure circulation	
Cooling method	Freshwater, full flow pressure circulation (Seawater, indirect)	
Heat exchanger (seawater circulation)	Multi-tube type (freshwater-seawater)	
Intercooler	Multi-tube type (seawater circulation)	
Rotation direction	Crankshaft	Right (clockwise) viewed from front of engine
	Propeller shaft	Right (clockwise) viewed from stern
Idling speed	min ⁻¹	550
Marine gear	Marine Gear Model	MGN35A
	Clutch type	Wet, Multi-plate hydraulic type
	Reverse type	Constant-mesh type gear
	Reduction ratio	1.97, 2.56, 3.05, 3.45

Specifications subject to change without notice

ACCESSORIES

Standard

- Installation kit
- Kingston valve
- Battery relay
- Extension harness (3m)
- Seawater pump impeller *
- Bilge pump
- Control head
- Instrument panel
- Oil drain pump
- Blow-by pipe
- Tool kit
- Owner's manual

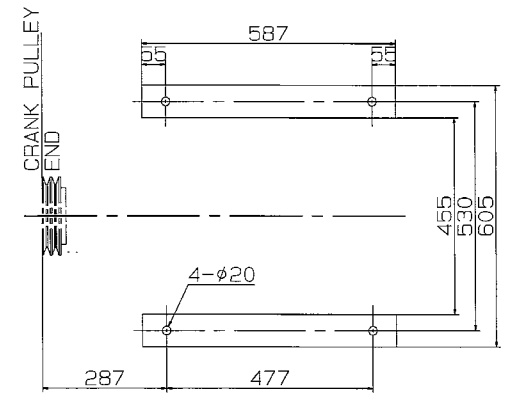
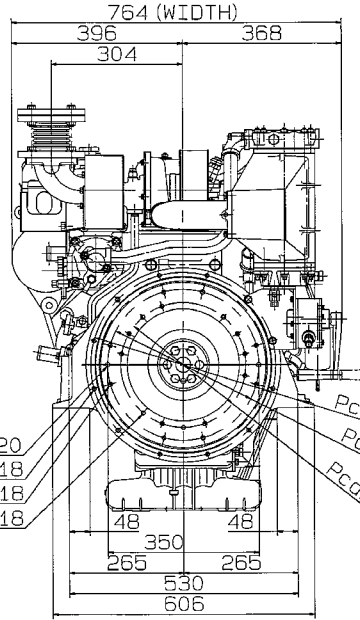
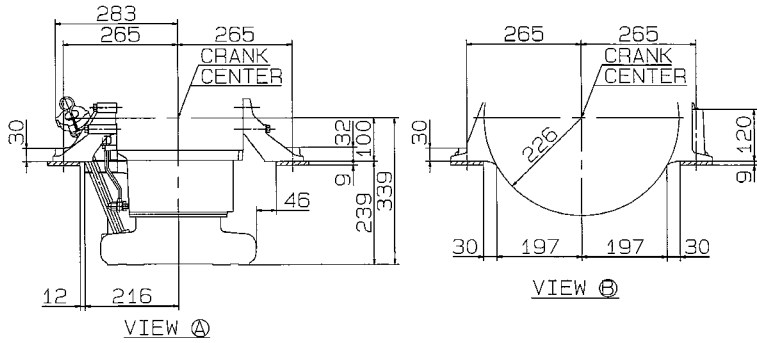
* spare parts

Option

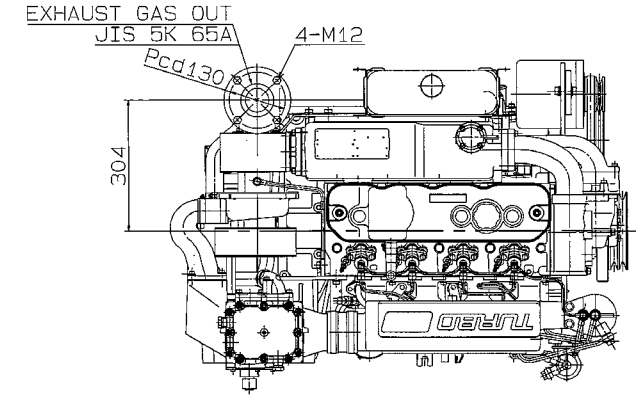
- Extension harness (3m)
- Control cable (4m,6m,10m,12m)
- Stop cable (4m,6m,8m)



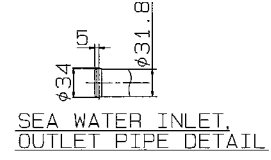
ISUZU UM4BG1TCX DIESEL ENGINE GEAR LESS



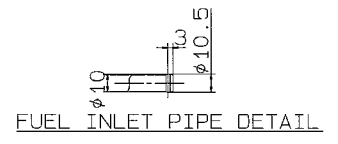
ENGINE MOUNTING



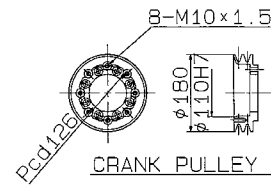
- 2-φ10-0.013 REAMEDHOLE DEEP20
- 12-M10x1.5 DEEP18
- 8-M10x1.5 DEEP18
- 12-M10x1.5 DEEP18



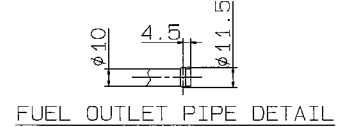
SEA WATER INLET, OUTLET PIPE DETAIL



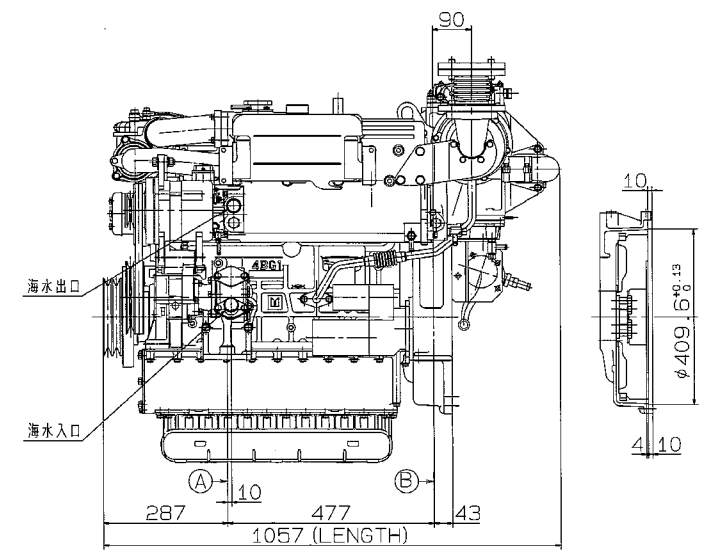
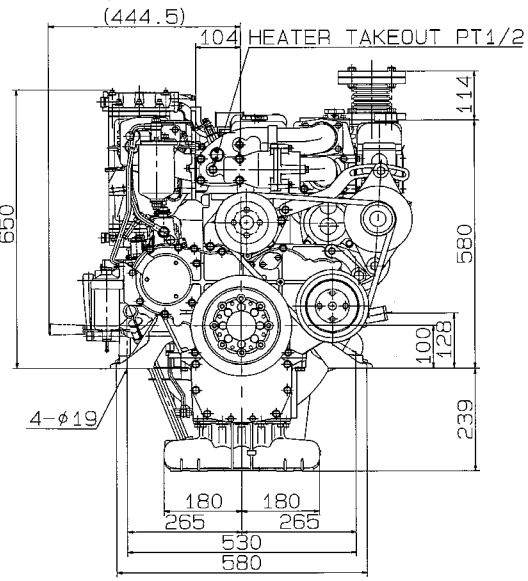
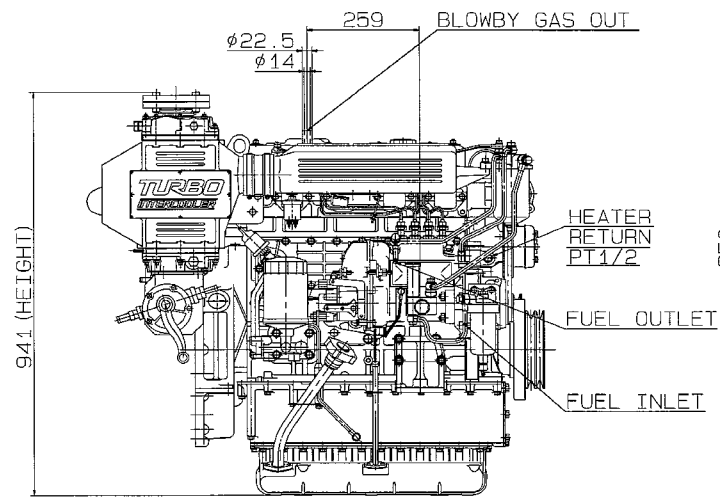
FUEL INLET PIPE DETAIL



CRANK PULLEY DETAIL



FUEL OUTLET PIPE DETAIL



ISUZU UM4BG1TCX DIESEL ENGINE

MGN35A-1

