



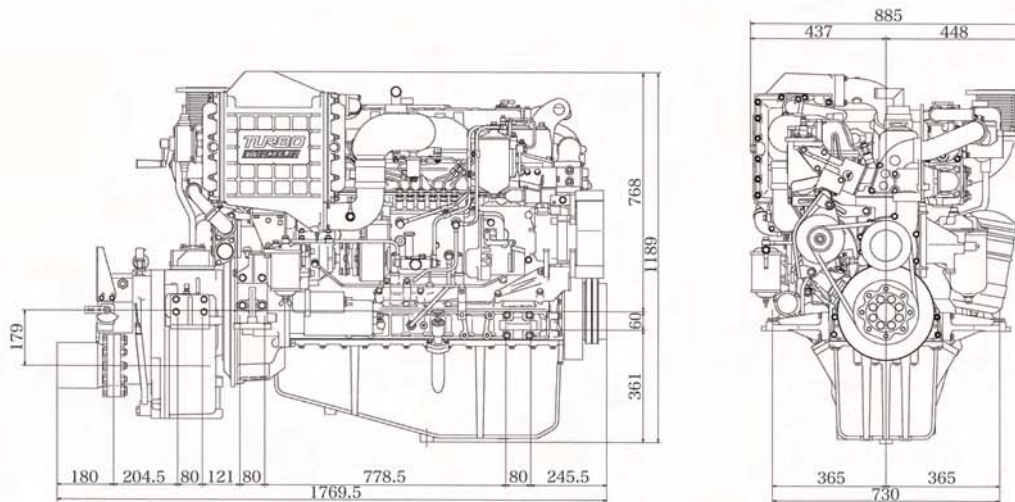
UM6SD1TCX

ISUZU

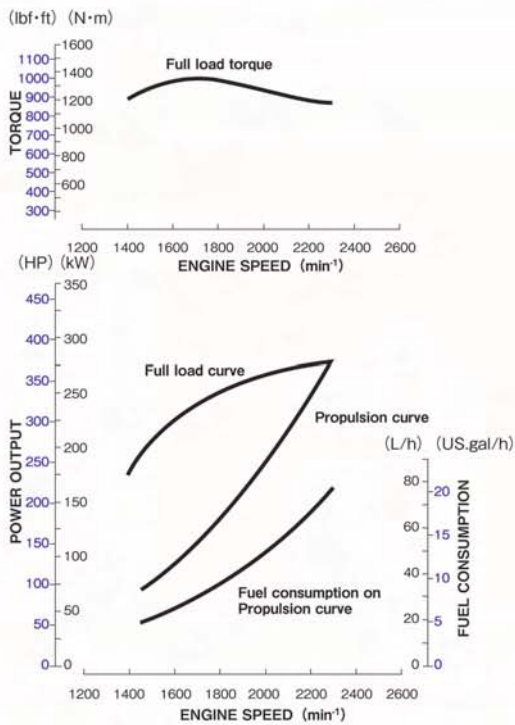
ISUZU MOTORS ENGINE SALES INC.

UM6SD1TCX

DIMENSIONS (mm)



PERFORMANCE CURVES



ENGINE SPECIFICATIONS

Configuration	6-cylinder, vertical in-line, 4-cycle diesel engine	
Bore x Stroke	mm (in)	117.9 × 145 (4.64 × 5.70)
Displacement	Lit. (cid)	9.498 (579)
Rated output	kW(PS)/min ⁻¹	Medium duty 254 (345) / 2220
		Light duty 279 (380) / 2300
Application	Commercial use	
Governor type	Mechanical	
Combustion type	Direct injection	
Aspiration	Turbo charged / Intercooler	
Exhaust gas status	IMO Tier II	
Engine weight	kg (lb)	Engine 935 (2,061)
		with MGN123 1,125 (2,480)
Fuel used	Diesel fuel	
Starter	V-kW	24 - 7.4
Alternator	V A	24 40
Lubrication method	Full flow pressure circulation	
Cooling method	Freshwater, full flow pressure circulation (Seawater, indirect)	
Heat exchanger (seawater circulation)	Multi-tube type (freshwater→seawater)	
Intercooler	Multi-tube type (seawater circulation)	
Rotation direction	Crankshaft	Right (clockwise) viewed from front of engine
	Propeller shaft	Right (clockwise) viewed from stern
Idling speed	min ⁻¹	500
Marine gear	Marine Gear Model	MGN123
	Clutch type	Wet, Multi-plate hydraulic type
	Reverse type	Constant-mesh type gear
	Reduction ratio	1.52, 1.97, 2.57, 3.08

Specifications subject to change without notice

ACCESSORIES

Standard

- Installation kit
- Kingston valve
- Battery relay
- Extension harness (5m)
- Seawater pump impeller *
- Bilge pump
- Control head
- Instrument panel
- Oil drain pump
- Blow-by pipe
- V-belt *
- Tool kit
- Owner's manual

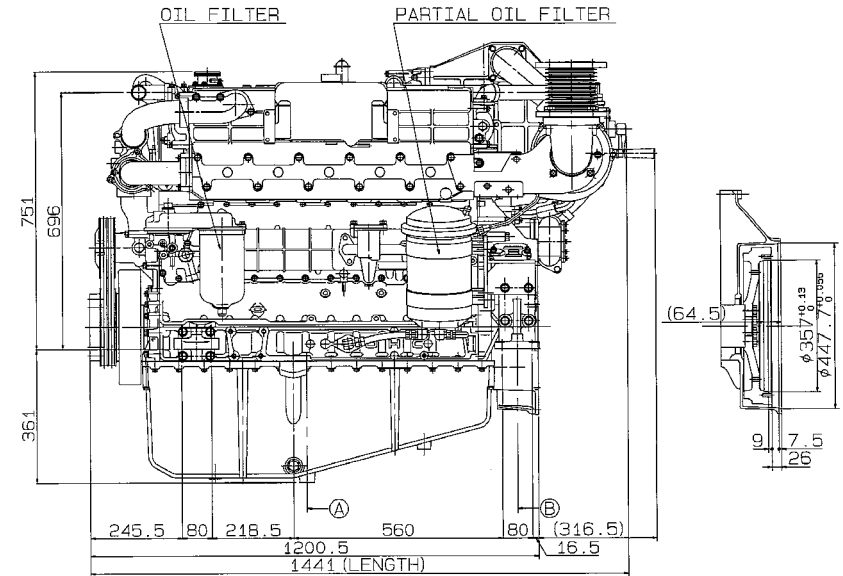
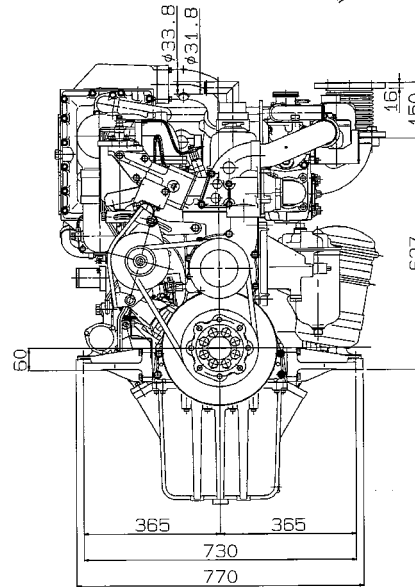
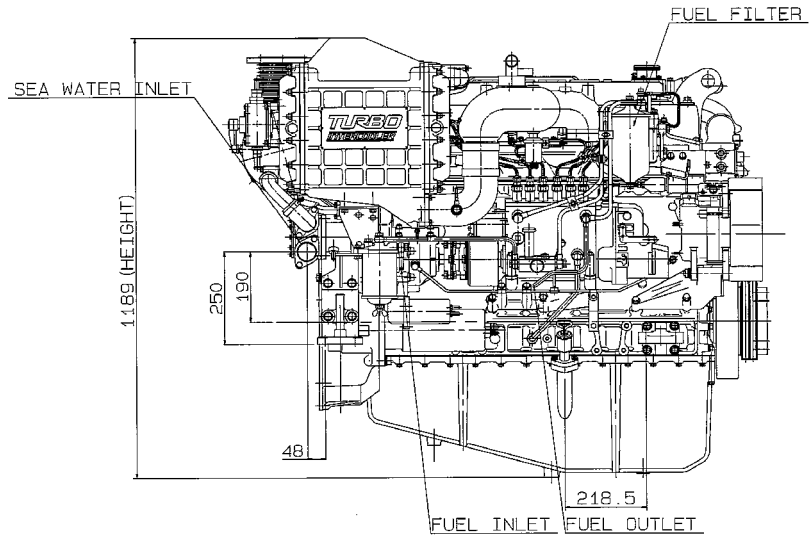
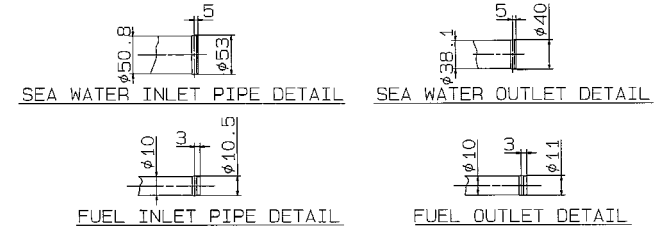
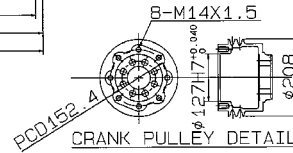
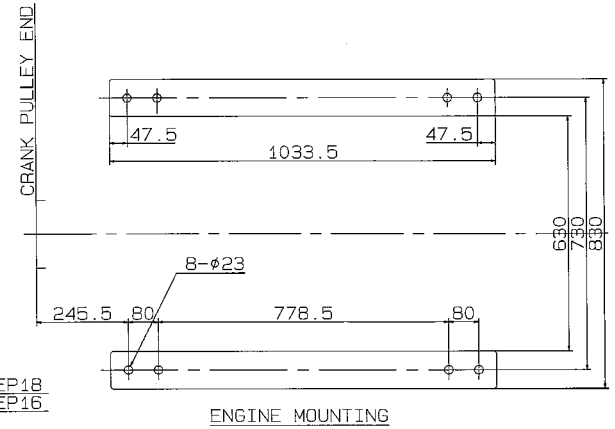
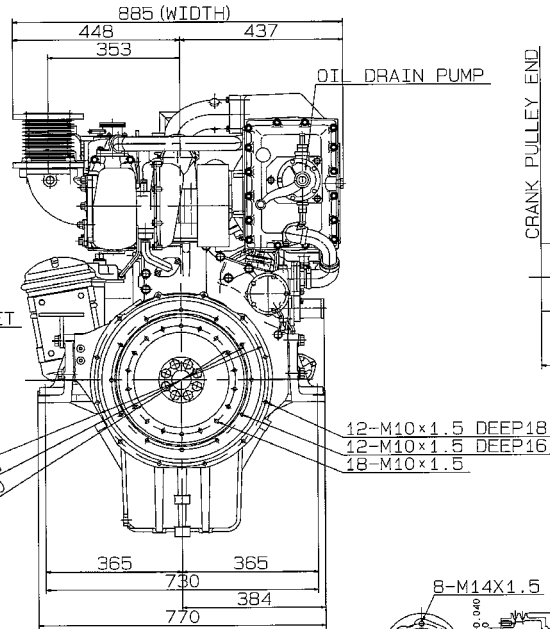
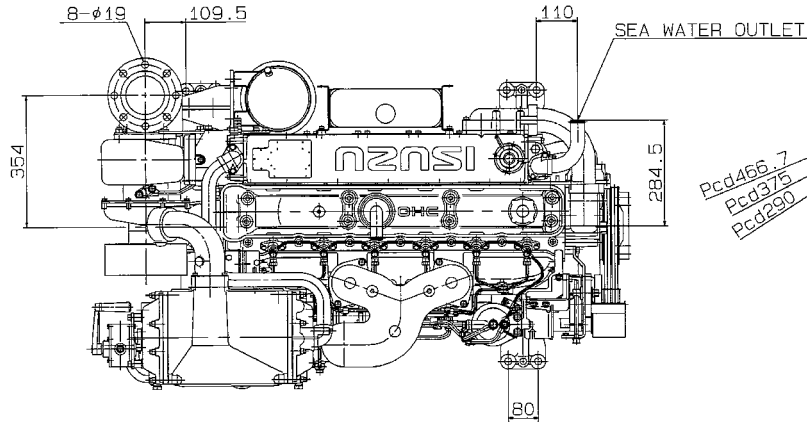
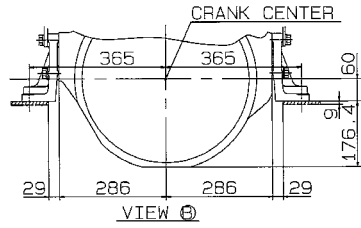
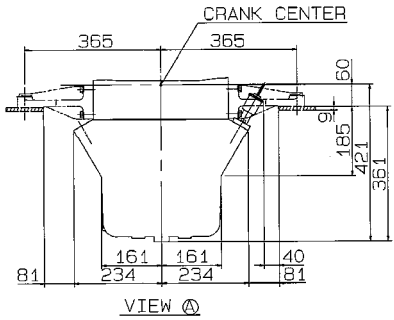
* spare parts

Option

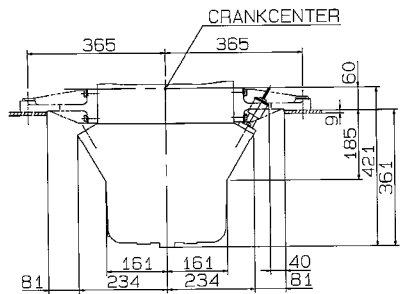
- Extension harness (5m)
- Control cable (4m,6m,10m,12m)
- Stop cable (4m,6m,8m)



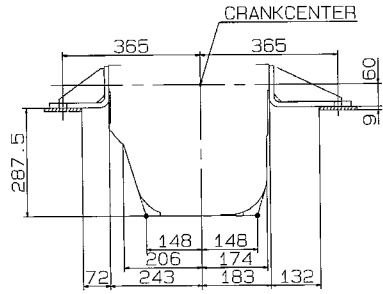
ISUZU UM6SD1TCX DIESEL ENGINE GEAR LESS



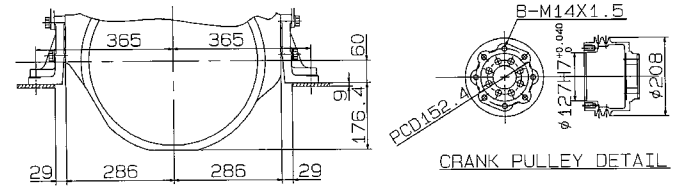
ISUZU UM6SD1TCX DIESEL ENGINE MGN1 23E-4



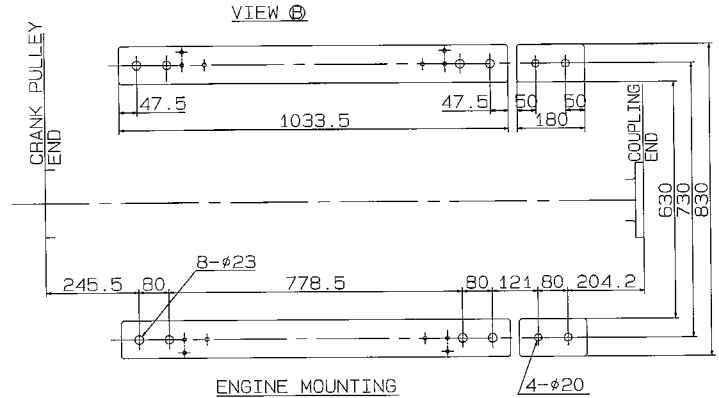
VIEW A



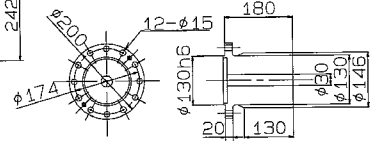
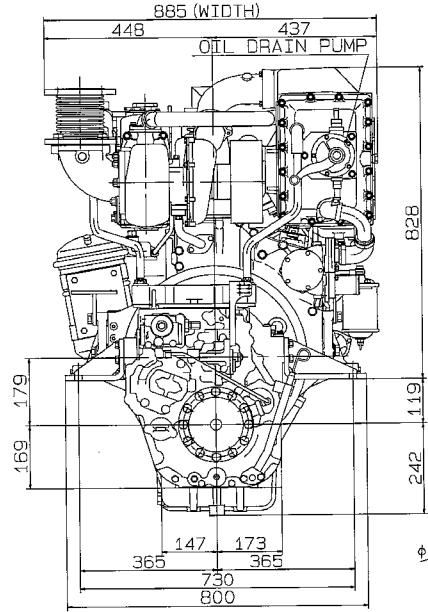
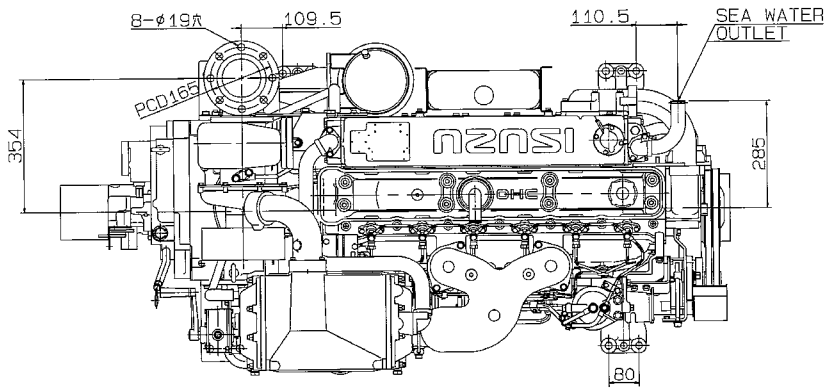
VIEW C



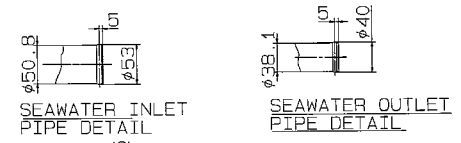
CRANK PULLEY DETAIL



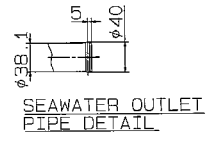
ENGINE MOUNTING



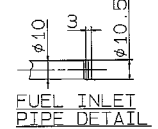
HALF COUPLING DETAIL



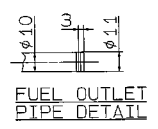
SEAWATER INLET PIPE DETAIL



SEAWATER OUTLET PIPE DETAIL



FUEL INLET PIPE DETAIL



FUEL OUTLET PIPE DETAIL

