

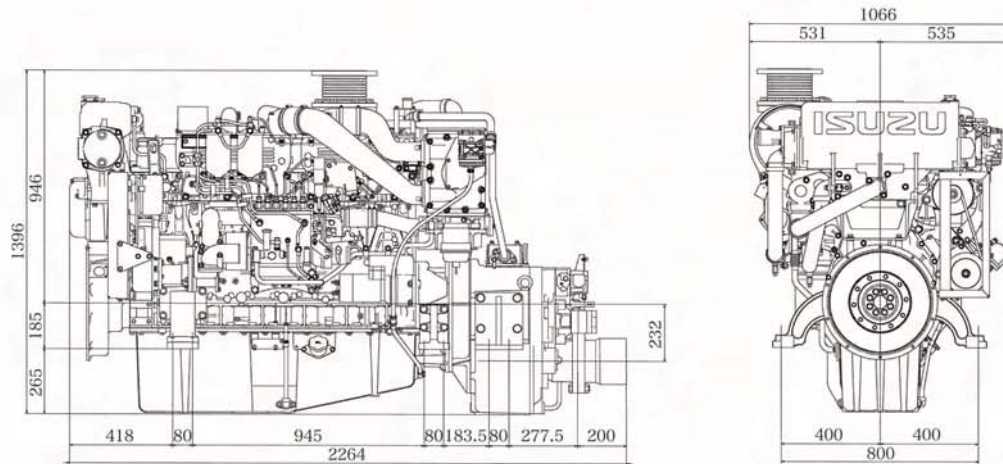
UM6WG1TCX

ISUZU

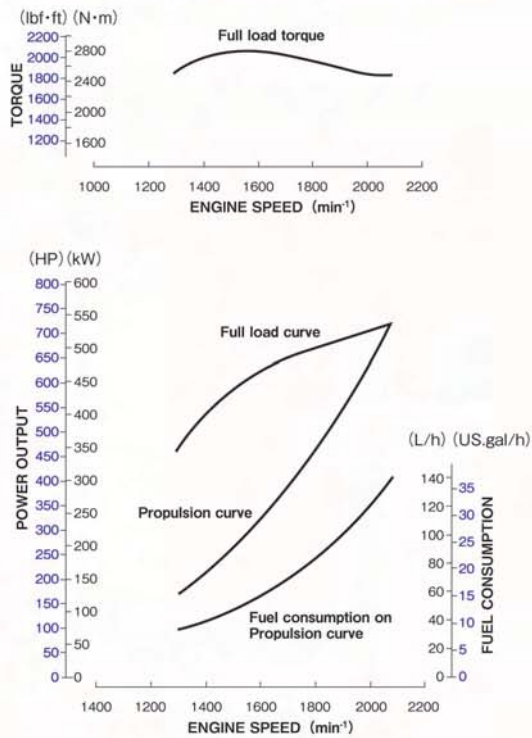
ISUZU MOTORS ENGINE SALES INC.

UM6WG1TCX

DIMENSIONS (mm)



PERFORMANCE CURVES



ENGINE SPECIFICATIONS

Configuration	6 cylinder, vertical in line, 4 cycle deisel engine	
Bore x Stroke	mm (in)	147 x 154 (5.78 x 6.06)
Displacement	Lit. (cid)	15.681 (957)
Rated output	kW(PS)/min ⁻¹	Medium duty
		Light duty
		515 (700) / 2060
		537 (730) / 2100
Application	Commercial use	
Governor type	Mechanical	
Combustion type	Direct injection	
Aspiration	Turbo charged / Intercooler	
Exhaust gas status	IMO Tier II	
Engine weight	kg (lb)	Engine
		with MGN80B
		1,615 (3,560)
		2,100 (4,630)
Fuel used	Diesel fuel	
Starter	V-KW	24 - 7.4
Alternator	V-A	24 - 50
Lubrication method	Full flow pressure circulation	
Cooling method	Freshwater, full flow pressure circulation (Seawater, indirect)	
Heat exchanger (seawater circulation)	Multi-tube type (freshwater-seawater)	
Intercooler	Multi-tube type (seawater circulation)	
Rotation direction	Crankshaft	Right (clockwise) viewed from front of engine
	Propeller shaft	Right (clockwise) viewed from stern
Idling speed	min ⁻¹	600
Marine gear	Marine Gear Model	MGN80B
	Clutch type	Wet, Multi-plate hydraulic type
	Reverse type	Constant-mesh type gear
	Reduction ratio	1.68, 2.03, 2.55, 2.96, 3.31, 3.48

Specifications subject to change without notice

ACCESSORIES

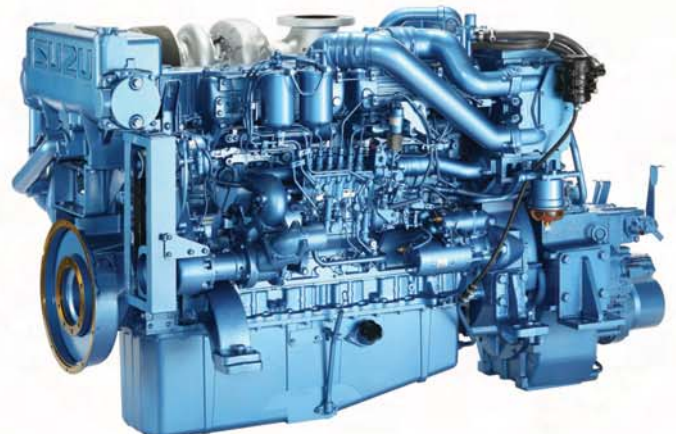
Standard.....

- Installation kit
- Battery relay
- Blow-by pipe
- Extension harness (5m)
- Seawater pump impeller *
- Bilge pump
- Control head
- Instrument panel
- Tool kit
- V-belt *
- Owner's manual

* spare parts

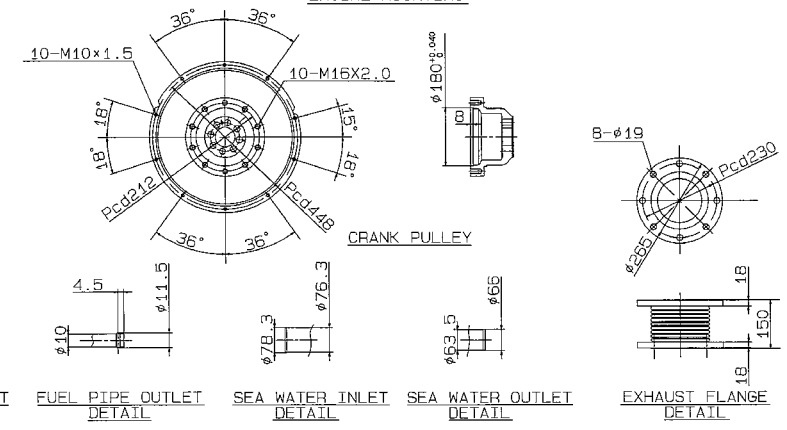
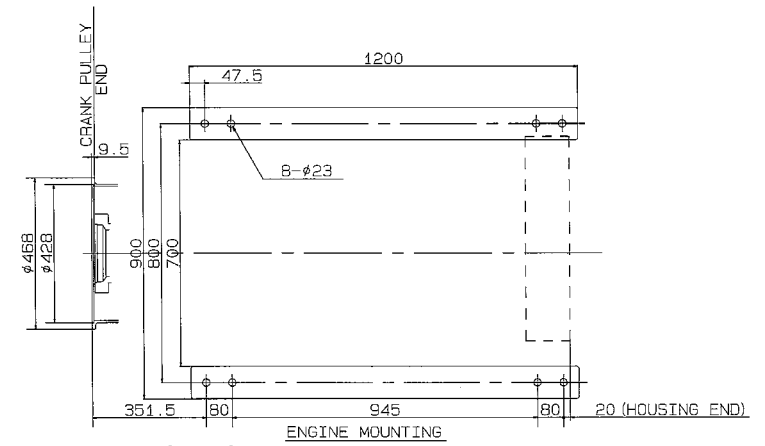
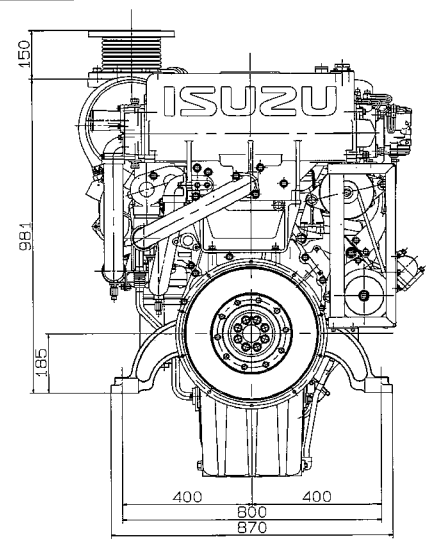
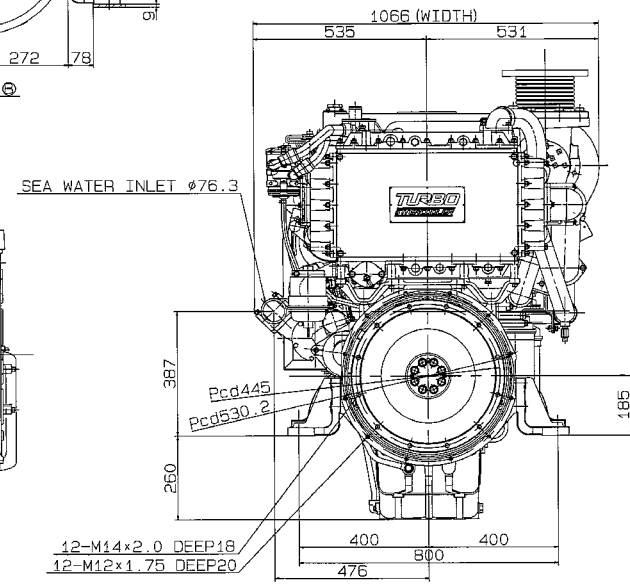
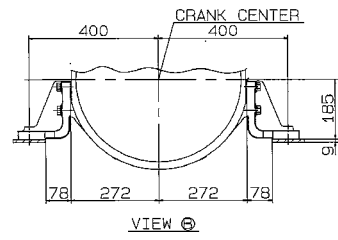
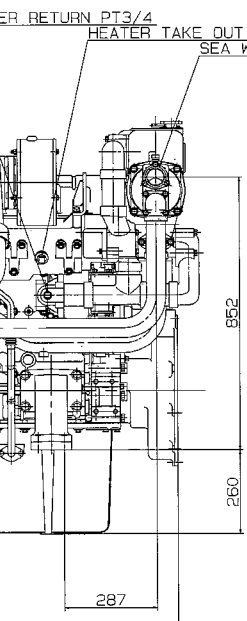
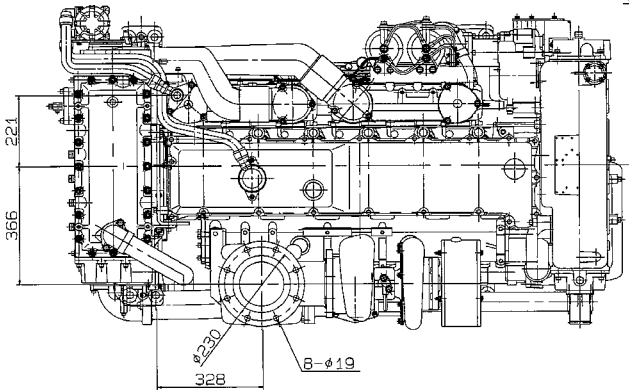
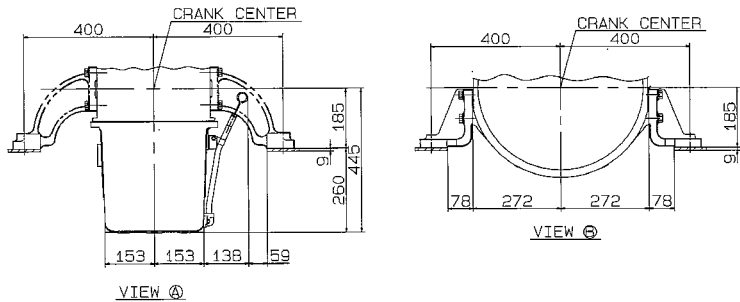
Option.....

- Extension harness (5m)
- Control cable (4m,6m,10m,12m)
- Stop cable (4m,6m,8m)

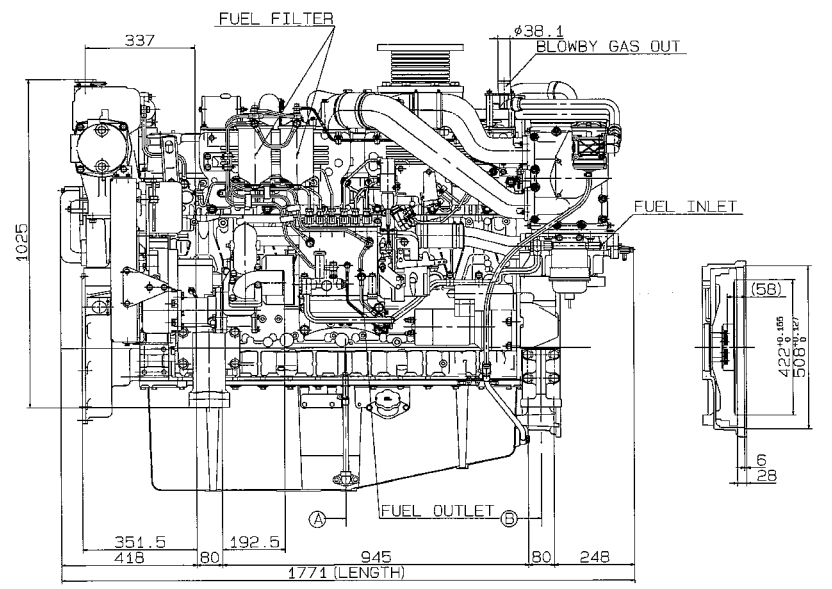


ISUZU UM6WG1TCX DIESEL ENGINE

GEAR LESS



FUEL PIPE INLET DETAIL FUEL PIPE OUTLET DETAIL SEA WATER INLET DETAIL SEA WATER OUTLET DETAIL EXHAUST FLANGE DETAIL



ISUZU UM6WG1TCX DIESEL ENGINE MGN80B

